


**First Power-up:** plug power into the device LAST, and when the device has a clear view of the sky.

Upon first power-up, when RED light STOPS Flashing, and **ONLY GREEN light is Flashing** the unit is ACTIVE and ready for use.

Installation of Major Components:

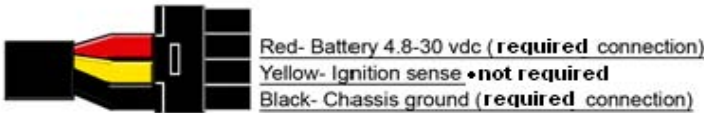
**Control Module:**  
Install the CAT high in the dash and secure with automotive double sided tape or zip ties (above the Speedometer cluster is ideal). Make sure the serial number is facing down toward the ground and the fox logo is facing up to the sky. Be sure there is no metal or wire harnesses above the device, this can interfere and/or block the GPS Satellite signal.



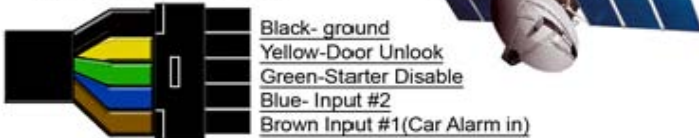
\* suitable location's for the device

Install Connections

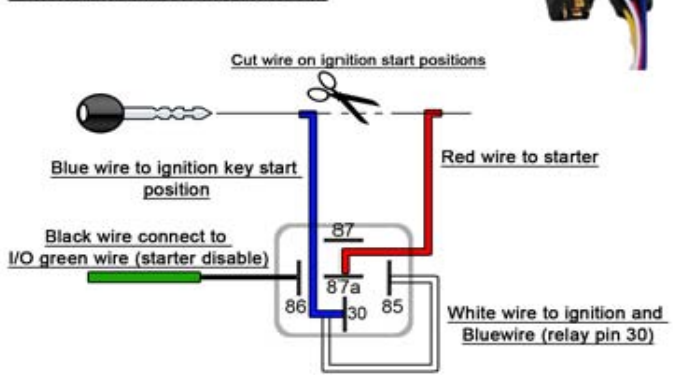
Connector A ( Power Cable)



Connector B (I/O cable)



Starter interrupt relay harness



TO LOGON Goto: [www.AlopekLogin.com](http://www.AlopekLogin.com)

**1** Remove the dash cover and route the Power Cable and I/O cable through the dash and down to the bottom of the dash.

**DO NOT insert Power-Cable into device until STEP-3**



**2** After finding a suitable location for the device installation, make your "Vehicle" power connections (not to the device)

**Location:** high is the dash just under the skin of dashpad - typically on the drivers side where power is easily accessible

**3** After Vehicle power and ground connections have been made...

Move the vehicle outside with a clear view of the Sky.

Connect the POWER Cable to the DEVICE. Label/SN facing DOWN.

Red and Green lights will begin Flashing.

When ONLY GREEN light Flashing, unit is active and ready for use

**Then, perform a LOCATE from your PC.**